

DD80VC

GAS FURNACE

ENERGY-EFFICIENT, TWO-STAGE,
VARIABLE SPEED 80% AFUE

DEDICATED DOWNFLOW | COMFORTNET™ COMPATIBLE



COMFORT FOR LIFE



GAS FURNACE

TWO-STAGE, VARIABLE SPEED | DD80VC

80% AFUE

Comfort for life

Daikin is a global leader for indoor comfort, with millions of systems installed throughout the world.

Daikin has been improving the comfort of its customers with exceptional products and services for many generations.

To explore all of our solutions for premium indoor comfort for life, visit www.daikincomfort.com.

Elevate your expectations and get more out of your home's indoor comfort system performance

As you think about the functionality of your home's indoor comfort system, the Daikin brand is ready to help you achieve control, energy efficiency and long-term peace of mind. Take that attention to quality one step further by choosing a Daikin brand energy-efficient gas furnace. We have designed and engineered all of our products to provide years of consistent indoor comfort – delivering you and your family premium comfort for life.

Bold performance

A better understanding of how people inhabit their living spaces has led to products designed to create indoor environments that help use energy resources more effectively. And a Daikin brand energy-efficient gas furnace with two-stage gas valve and variable speed blower provides efficient and economical heating performance. Unlike single-stage gas furnaces that operate “all on” or “all off”, a Daikin two-stage, variable speed gas furnace minimizes energy use by running at the lowest possible fan speed, and producing just the right amount of heat to keep a steady, comfortable temperature in your home.



"I'm a Daikin Comfort Pro"



Those five simple words can offer you comfort like you've never experienced. The words mean that the dealer you invited into your home is a highly-qualified and continuously-trained professional who will quickly, efficiently and effectively help to solve any of your indoor comfort needs.

All Daikin Comfort Pro dealers seek to achieve the highest levels of customer service, business integrity, and technical competency. These range from maintaining an excellent rating with their local Better Business Bureau (BBB) to taking continuing education classes on how best to install and service Daikin brand products. To retain this status, Daikin Comfort Pros must deliver their best abilities to each and every customer, year after year.

A commitment to your comfort

Daikin Comfort Pros believe that a well-informed homeowner is the best possible customer. All Comfort Pros will take the time to help understand your unique comfort needs, assess the performance of your current indoor comfort system, and thoroughly discuss all options with you.

A commitment to provide you the right service and products

Daikin Comfort Pros have access to one of the most complete lines of indoor comfort products and systems available. As the #1 manufacturer of indoor comfort systems and refrigerants in the world, Daikin offers you a full line of comfort solutions that ensures that a Daikin Comfort Pro can provide the perfect solution to your home.

A commitment to serve you over the long term

Daikin Comfort Pros want to earn your business. They want to be your long-term provider for all your indoor comfort needs. To help deliver on this commitment, you can take peace of mind with the limited warranty* coverage offered on your Daikin brand indoor comfort product or system. The Daikin Comfort Pro has access to one of the best limited warranty* programs in the indoor comfort industry.

*Complete warranty details available from your local dealer or at www.daikincomfort.com. To receive the 12-Year Unit Replacement Limited Warranty, Lifetime Heat Exchanger Limited Warranty (good for as long as you own your home) and 12-Year Parts Limited Warranty, online registration must be completed within 60 days of installation. Additional requirements for annual maintenance are required for the Unit Replacement Limited Warranty. Online registration and some of the additional requirements are not required in California or Quebec.



To learn more, contact your local Daikin Comfort Pro or visit daikincomfort.com

Contact Daikin North America
Consumer Affairs at
consumeraffairs@daikincomfort.com
or 1.855.770.5678

Unique and dependable heat exchanger for your added comfort

A heat exchanger often is considered the essential component of any gas furnace. A Daikin brand gas furnace is engineered with a unique heat exchanger constructed from tubular stainless-steel. The use of wrinkle-bend technology in the primary heat exchanger results in an extremely durable heat exchanger. This design helps to maximize the ability to provide high levels of indoor comfort regardless of the outside temperature.

Count on a Daikin brand gas furnace to deliver premium comfort for life to your family for years and years.



The Daikin Comfort Promise

Ultimately, the commitment to provide you with Comfort for Life is represented and reinforced in the Daikin Comfort Promise.

If, for any reason, the Daikin Comfort Professional has not met your expectations within one year of your equipment or system installation, please contact the installing Daikin Comfort Pro and ask them to honor the Daikin Comfort Promise. The

Daikin Comfort Pro will return to your house to resolve any issues that you have with your installation at no cost to you.

As part of formally maintaining the Daikin Comfort Pro distinction, the Daikin Comfort Pro will make all reasonable efforts to resolve any concerns you have within one year of your equipment installation. If a Daikin Comfort Professional does not meet your expectations, they risk losing the ability to sell Daikin products.

With the Daikin Comfort Promise, you can have peace of mind that your Daikin Comfort Professional will continue to earn your business well after the sale. If not, they cannot be a Daikin Certified Professional. Period.

■ COMFORT-ENHANCING FEATURES:

- 1 Primary tubular stainless-steel heat exchanger for outstanding durability and heat transfer
- 2 Efficient and quiet variable-speed motor gently ramps up or down according to furnace performance demand
- 3 Quiet, two-speed induced draft blower provides precise control and enhanced energy-efficient performance as compared to single-speed blowers
- 4 Durable silicon nitride igniter eliminates the need for an energy-wasting pilot light
- 5 Self-diagnostic control board continuously monitors the system for consistent, reliable operation
- 6 Heavy-gauge steel cabinet with durable baked-enamel finish resists corrosion and protects essential components
- 7 Thermally insulated cabinet – The fully-insulated cabinet means air leakage of less than 2% to maximize heat transfer efficiency and lower blower noise.
- 8 Two-stage gas valve reduces energy needed during moderate demand to deliver outstanding comfort and efficiency as compared to single stage gas valves

COMFORTABLE LIMITED WARRANTY* PROTECTION

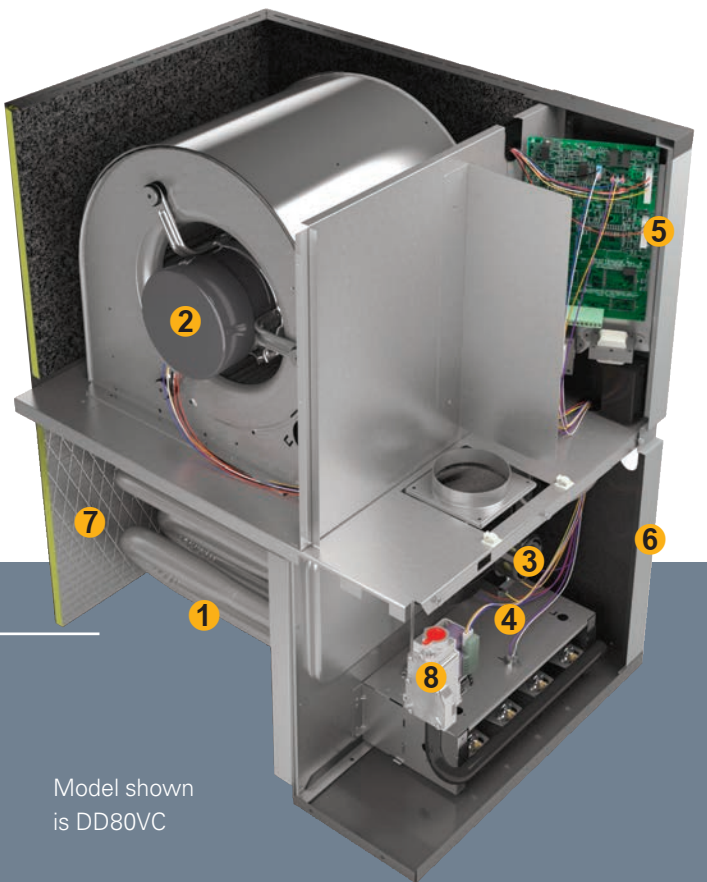


*Complete warranty details available from your local dealer or at www.daikincomfort.com. To receive the 12-Year Unit Replacement Limited Warranty, Lifetime Heat Exchanger Limited Warranty (good for as long as you own your home) and 12-Year Parts Limited Warranty, online registration must be completed within 60 days of installation. Additional requirements for annual maintenance are required for the Unit Replacement Limited Warranty. Online registration and some of the additional requirements are not required in California or Quebec.

Comfort and Efficiency

This gas furnace converts 80 cents of every energy dollar into indoor comfort in your home.

**80%
AFUE**



Model shown is DD80VC

PREMIUM COMFORT FEATURES:



ComfortNet™ communicating system-compatible – Continuously monitors system performance and allows remote control of system as an option.



Durable heat exchanger – Unique tubular stainless-steel construction formed using wrinklebend technology results in an extremely durable heat exchanger.



Variable-speed motor – Provides quiet system startup and shutdown with highly efficient performance.



Two-stage gas valve – Reduces energy needed during moderate demand to deliver outstanding comfort and efficiency as compared to single stage gas valves.



Continuous air circulation – Provides added filtration and keeps air moving throughout your home to help maintain comfort.

Daikin brand furnaces are designed to maintain indoor comfort and energy-efficient operation.

ADDITIONAL INFORMATION

Before purchasing this appliance, read important information about its estimated annual energy consumption, yearly operating cost, or energy efficiency rating that is available from your retailer.



DAIKIN: THE PREMIUM BRAND INDUSTRY LEADER

Daikin Industries, Ltd. (DIL) is a global Fortune 1000 company which celebrated its 90th anniversary in May 2014. The company is recognized as the largest HVAC (Heating, Ventilating, Air Conditioning) manufacturer in the world. DIL is primarily engaged in developing indoor comfort products, systems and refrigeration products for residential, commercial and industrial applications. Its consistent success is derived, in part, from a focus on innovative, energy-efficient and premium quality indoor climate and comfort management solutions.



Expert reviews from our most important critics

Daikin offers a wide selection of choices for energy-efficient indoor comfort. As a worldwide leader in air conditioning and heating technology, Daikin is also a highly-rated brand. See for yourself at www.daikincomfort.com/reviews.

