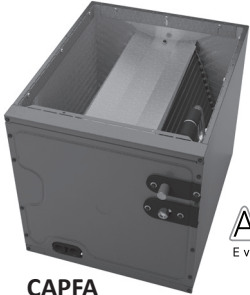


# INDOOR COILS

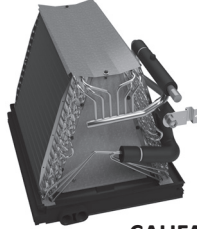
CAUF/(A), CAPF/(A), CAPT, CHPF, AND CSCF

CASED, PAINTED UPFLOW/DOWNFLOW,  
UNCASED UPFLOW/DOWNFLOW,  
HORIZONTAL "A", AND HORIZONTAL SLAB

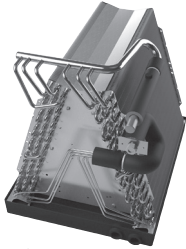


**CAPFA**  
Cased

**AlumaFin7**  
Evaporator Coil



**CAUFA**  
Uncased



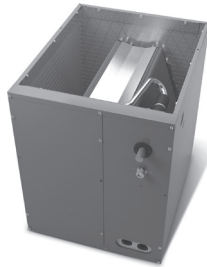
**CAUF**  
Uncased



**CAPF**  
Cased



**CHPF**  
Horizontal "A"



**CAPT**  
Cased with Internal TXV



**CSCF**  
Horizontal Slab

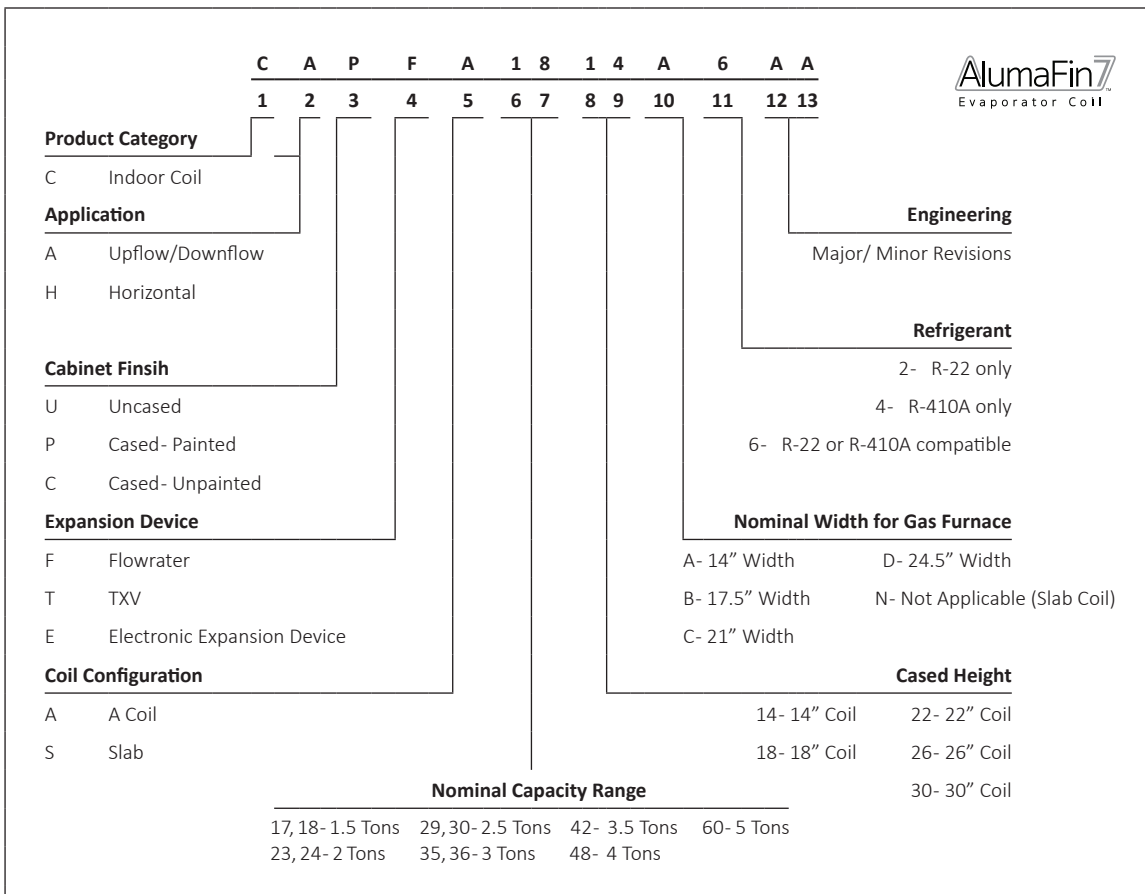
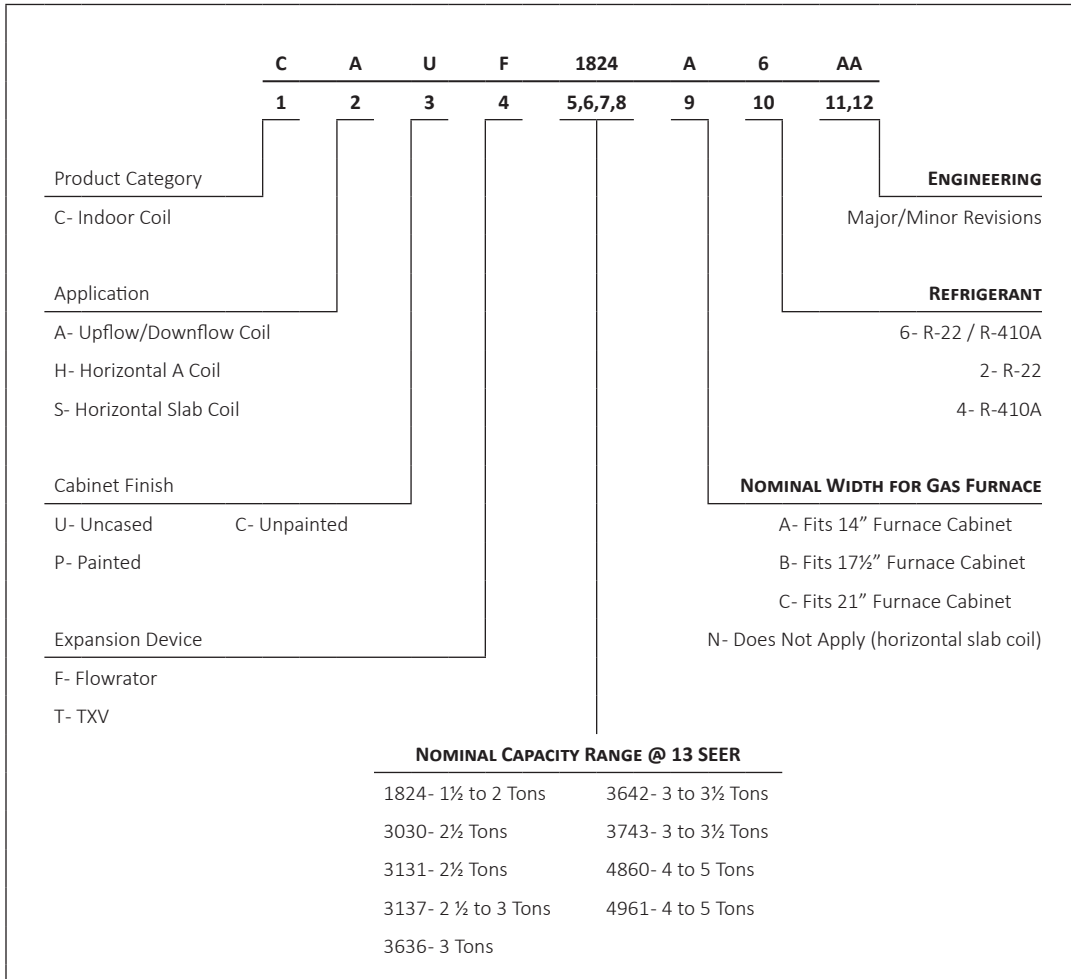
### Standard Features

- All-Aluminum evaporator coil
- Optimized for use with R-410A refrigerant
- Some models suitable for use with R-410A or R-22 refrigerant
- CAPT models feature factory-installed thermal expansion valves for cooling and heat pump applications
- Check flowrator for cooling and heat pump applications
- Vertical and horizontal models available
- 21" depth for easier attic access
- Foil-faced insulation covers the internal casing to reduce cabinet condensation
- Galvanized, leather grain-embossed finish
- Rust resistant, thermoplastic drain pans featuring a low water-retention design
- DecaBDE-free thermoplastic drain pan with secondary drain connections
- UV-resistant drain pan
- AHRI certified; ETL listed

**Note:** Do not use these coils on oil furnaces or any applications where the temperature on the drain pan may exceed 300°F. If these coils are applied with an oil furnace or another application where high temperatures threaten or jeopardize the durability of the drain pan, you must replace the factory-installed drain pan with a high-temperature drain pan. High-temperature drain pan kits are available as field-installed accessories.



\* Complete warranty details available from your local dealer or at [www.franklinhvacsyste.ms.com](http://www.franklinhvacsyste.ms.com). To receive the 10-Year Parts Limited Warranty, online registration must be completed within 60 days of installation. Online registration is not required in California or Québec.





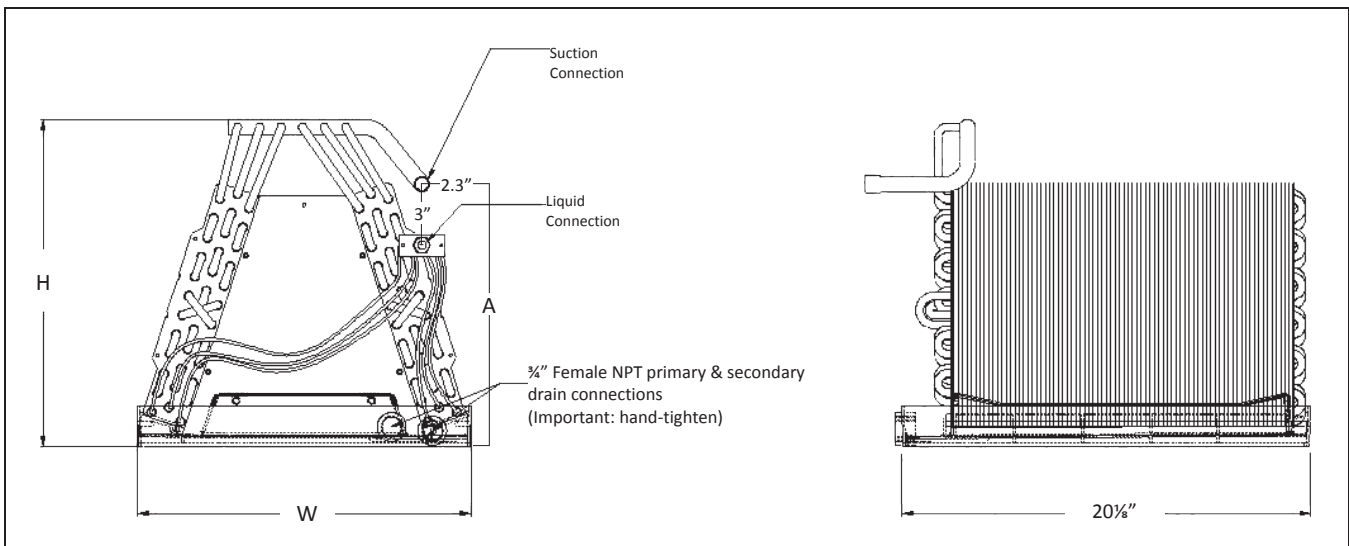
**SPECIFICATIONS**

MODEL	UNIT DIMENSIONS			NOMINAL TONS	CONNECTION		PISTON SIZE*	SHIP WEIGHT (LBS)
	W	H	A		LIQUID	SUCTION		
CAUF1824A6	13"	16¼"	13"	1½-2	⅜"	¾"	.059	18
CAUF1824B6	16½"	16⅝"	13"	1½-2	⅜"	¾"	.059	23
CAUF1824C6	20"	16⅝"	17"	1½-2	⅜"	¾"	.059	27
CAUF3030A6	13"	20⅞"	17"	2½	⅜"	¾"	.065	25
CAUF3030B6	16½"	18¾"	17"	2½	⅜"	¾"	.065	22
CAUF3030C6	20"	17⅞"	17"	2½	⅜"	¾"	.065	25
CAUF3030D6	23"	17⅞"	17"	2½	⅜"	¾"	.065	32
CAUF3131B6	16½"	20⅞"	17"	2½	⅜"	¾"	.068	27
CAUF3137B6	16½"	27"	25"	2½-3	⅜"	¾"	.071	53
CAUF3131C6	20"	20"	17"	2½	⅜"	¾"	.068	31
CAUF3636A6	13"	19½"	17"	3	⅜"	¾"	.071	30
CAUF3636B6	16½"	19⅝"	17"	3	⅜"	¾"	.071	25
CAUF3636C6	20"	19⅝"	17"	3	⅜"	¾"	.071	28
CAUF3636D6	23"	19⅝"	17"	3	⅜"	¾"	.071	36
CAUF3642C6	20"	19"	17"	3-3½	⅜"	¾"	.078	29
CAUF3642D6	23"	19⅝"	17"	3-3½	⅜"	¾"	.078	34
CAUF3743C6	20"	28⅞"	25"	3-3½	⅜"	⅞"	.078	46
CAUF3743D6	23"	27⅞"	25"	3-3½	⅜"	⅞"	.078	43
CAUF4860C6	20"	28"	25"	4-5	⅜"	⅞"	.093	48
CAUF4860D6	23"	28"	25"	4-5	⅜"	⅞"	.093	39
CAUF4961C6	20"	28"	25"	4-5	⅜"	⅞"	.093	54
CAUF4961D6	23"	27"	25"	4-5	⅜"	⅞"	.093	59

\* Shipped with Coil

Note: For a properly matched system and piston sizing information, refer to the piston kit chart of the corresponding outdoor unit.

**DIMENSIONS**



SPECIFICATIONS

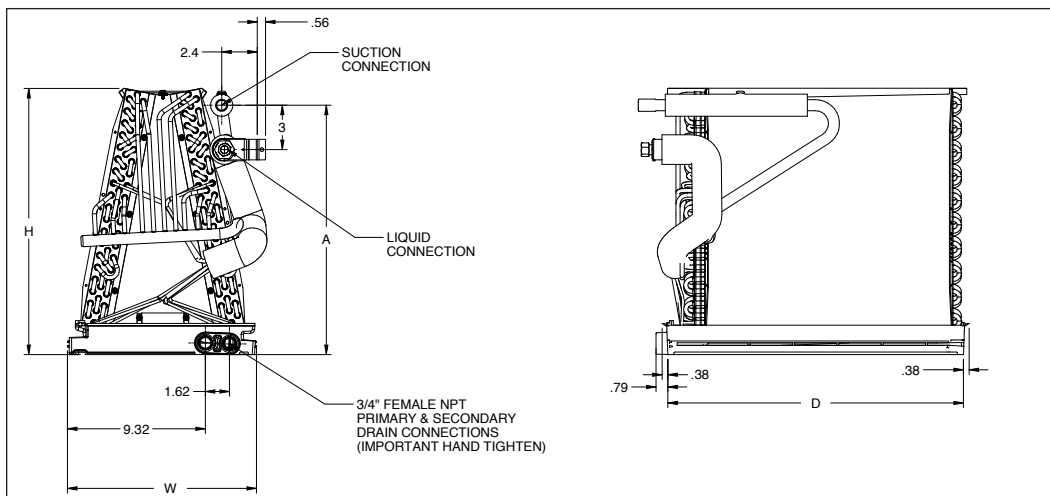


MODEL	UNIT DIMENSIONS				NOMINAL TONS	CONNECTION		PISTON SIZE*	SHIP WEIGHT (LBS)
	W	D	H	A		LIQUID	SUCTION		
CAUFA1714A6	12 7/8"	20	11 1/4"	5 7/8"	1 1/2	3/8"	3/4"	0.051	16
CAUFA1714B6	16 3/8"	20	11 1/8"	5 7/8"	1 1/2	3/8"	3/4"	0.051	18
CAUFA1818A6	12 7/8"	20	14 5/8"	12 7/8"	1 1/2	3/8"	3/4"	0.055	18
CAUFA1818B6	16 3/8"	20	14 1/2"	12 7/8"	1 1/2	3/8"	3/4"	0.055	20
CAUFA1818C6	19 7/8"	20	14 3/8"	12 7/8"	1 1/2	3/8"	3/4"	0.055	26
CAUFA2318A6	12 7/8"	20	14 5/8"	12 7/8"	2	3/8"	3/4"	0.057	18
CAUFA2318B6	16 3/8"	20	14 1/2"	12 7/8"	2	3/8"	3/4"	0.057	20
CAUFA2318C6	19 7/8"	20	14 3/8"	12 7/8"	2	3/8"	3/4"	0.057	26
CAUFA2418A6	12 7/8"	20	14 5/8"	12 7/8"	2	3/8"	3/4"	0.057	18
CAUFA2418B6	16 3/8"	20	14 1/2"	12 7/8"	2	3/8"	3/4"	0.057	20
CAUFA2418C6	19 7/8"	20	14 3/8"	12 7/8"	2	3/8"	3/4"	0.057	26
CAUFA2422A6	12 7/8"	20	18 3/8"	16 7/8"	2	3/8"	3/4"	0.059	26
CAUFA2422B6	16 3/8"	20	17 7/8"	16 7/8"	2	3/8"	3/4"	0.059	28
CAUFA2422C6	19 7/8"	20	17 3/8"	16 7/8"	2	3/8"	3/4"	0.059	30
CAUFA2922A6	12 7/8"	20	18 3/8"	16 7/8"	2.5	3/8"	3/4"	0.065	26
CAUFA2922B6	16 3/8"	20	17 7/8"	16 7/8"	2 1/2	3/8"	3/4"	0.065	28
CAUFA2922C6	19 7/8"	20	17 3/8"	16 7/8"	2 1/2	3/8"	3/4"	0.065	30
CAUFA3022A6	12 7/8"	20	18 1/8"	16 7/8"	2 1/2	3/8"	3/4"	0.063	26
CAUFA3022B6	16 3/8"	20	17 7/8"	16 7/8"	2 1/2	3/8"	3/4"	0.063	28
CAUFA3022C6	19 7/8"	20	17 7/8"	16 7/8"	2 1/2	3/8"	3/4"	0.063	30
CAUFA3022D6	23 3/8"	20	17 1/4"	16 7/8"	2 1/2	3/8"	3/4"	0.063	32
CAUFA3526B6	16 3/8"	20	21"	20 7/8"	3	3/8"	7/8"	0.065	30
CAUFA3526C6	19 7/8"	20	20 3/4"	20 7/8"	3	3/8"	7/8"	0.065	31
CAUFA3626B6	16 3/8"	20	21"	20 7/8"	3	3/8"	7/8"	0.065	30
CAUFA3626C6	19 7/8"	20	20 3/4"	20 7/8"	3	3/8"	7/8"	0.065	31
CAUFA3626D6	23 3/8"	20	20 5/8"	20 7/8"	3	3/8"	7/8"	0.065	35
CAUFA4226B6	16 3/8"	20	24 3/8"	20 7/8"	3.5	3/8"	7/8"	0.071	28
CAUFA4226C6	19 7/8"	20	24"	20 7/8"	3.5	3/8"	7/8"	0.071	30
CAUFA4226D6	23 3/8"	20	23 5/8"	20 7/8"	3.5	3/8"	7/8"	0.071	33

\* Shipped with Coil

Note: For a properly matched system and piston sizing information, refer to the piston kit chart of the corresponding outdoor unit.

DIMENSIONS





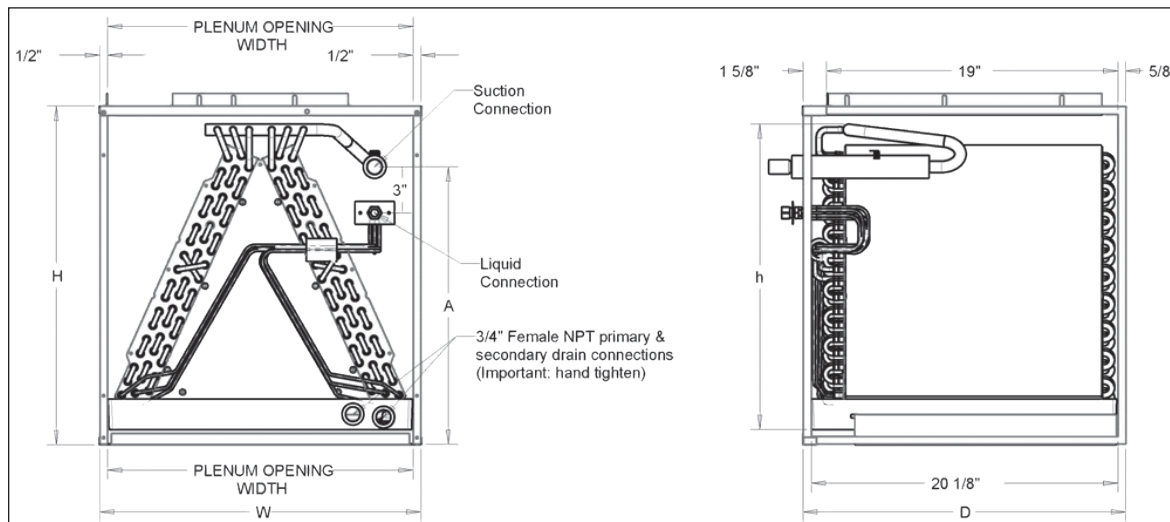
**SPECIFICATIONS**

MODEL	UNIT DIMENSIONS			NOMINAL TONS	CONNECTION		PISTON SIZE*	SHIP WEIGHT (LBS)
	W	D	H		LIQUID	SUCTION		
CAPF1824A6	14"	21 $\frac{1}{8}$ "	18"	1 $\frac{1}{2}$ -2	$\frac{3}{8}$ "	$\frac{3}{4}$ "	.059	32
CAPF1824B6	17 $\frac{1}{2}$ "	21 $\frac{1}{8}$ "	18"	1 $\frac{1}{2}$ -2	$\frac{3}{8}$ "	$\frac{3}{4}$ "	.059	35
CAPF1824C6	21"	21 $\frac{1}{8}$ "	22"	1 $\frac{1}{2}$ -2	$\frac{3}{8}$ "	$\frac{3}{4}$ "	.059	42
CAPF3030A6	14"	21 $\frac{1}{8}$ "	22"	2 $\frac{1}{2}$	$\frac{3}{8}$ "	$\frac{3}{4}$ "	.065	41
CAPF3030B6	17 $\frac{1}{2}$ "	21 $\frac{1}{8}$ "	22"	2 $\frac{1}{2}$	$\frac{3}{8}$ "	$\frac{3}{4}$ "	.065	43
CAPF3030C6	21"	21 $\frac{1}{8}$ "	22"	2 $\frac{1}{2}$	$\frac{3}{8}$ "	$\frac{3}{4}$ "	.065	44
CAPF3030D6	24 $\frac{1}{2}$ "	21 $\frac{1}{8}$ "	22"	2 $\frac{1}{2}$	$\frac{3}{8}$ "	$\frac{3}{4}$ "	.065	52
CAPF3131B6	17 $\frac{1}{2}$ "	21 $\frac{1}{8}$ "	22"	2 $\frac{1}{2}$	$\frac{3}{8}$ "	$\frac{3}{4}$ "	.068	46
CAPF3137B6	17 $\frac{1}{2}$ "	21 $\frac{1}{8}$ "	30"	2 $\frac{1}{2}$ -3	$\frac{3}{8}$ "	$\frac{3}{4}$ "	.071	53
CAPF3131C6	21"	21 $\frac{1}{8}$ "	22"	2 $\frac{1}{2}$	$\frac{3}{8}$ "	$\frac{3}{4}$ "	.068	50
CAPF3636A6	14"	21 $\frac{1}{8}$ "	22"	3	$\frac{3}{8}$ "	$\frac{3}{4}$ "	.071	40
CAPF3636B6	17 $\frac{1}{2}$ "	21 $\frac{1}{8}$ "	22"	3	$\frac{3}{8}$ "	$\frac{3}{4}$ "	.071	44
CAPF3636C6	21"	21 $\frac{1}{8}$ "	22"	3	$\frac{3}{8}$ "	$\frac{3}{4}$ "	.071	53
CAPF3636D6	24 $\frac{1}{2}$ "	21 $\frac{1}{8}$ "	22"	3	$\frac{3}{8}$ "	$\frac{3}{4}$ "	.071	51
CAPF3642C6	21"	21 $\frac{1}{8}$ "	22"	3-3 $\frac{1}{2}$	$\frac{3}{8}$ "	$\frac{3}{4}$ "	.078	49
CAPF3642D6	24 $\frac{1}{2}$ "	21 $\frac{1}{8}$ "	22"	3-3 $\frac{1}{2}$	$\frac{3}{8}$ "	$\frac{3}{4}$ "	.078	52
CAPF3743C6	21"	21 $\frac{1}{8}$ "	30"	3-3 $\frac{1}{2}$	$\frac{3}{8}$ "	$\frac{7}{8}$ "	.078	63
CAPF3743D6	24 $\frac{1}{2}$ "	21 $\frac{1}{8}$ "	30"	3-3 $\frac{1}{2}$	$\frac{3}{8}$ "	$\frac{7}{8}$ "	.078	75
CAPF4860C6	21"	21 $\frac{1}{8}$ "	30"	4-5	$\frac{3}{8}$ "	$\frac{7}{8}$ "	.093	65
CAPF4860D6	24 $\frac{1}{2}$ "	21 $\frac{1}{8}$ "	30"	4-5	$\frac{3}{8}$ "	$\frac{7}{8}$ "	.093	68
CAPF4961C6	21"	21 $\frac{1}{8}$ "	30"	4-5	$\frac{3}{8}$ "	$\frac{7}{8}$ "	.093	73
CAPF4961D6	24 $\frac{1}{2}$ "	21 $\frac{1}{8}$ "	30"	4-5	$\frac{3}{8}$ "	$\frac{7}{8}$ "	.093	76

\* Shipped with Coil

Note: For a properly matched system and piston sizing information, refer to the piston kit chart of the corresponding outdoor unit.

**DIMENSIONS**



SPECIFICATIONS

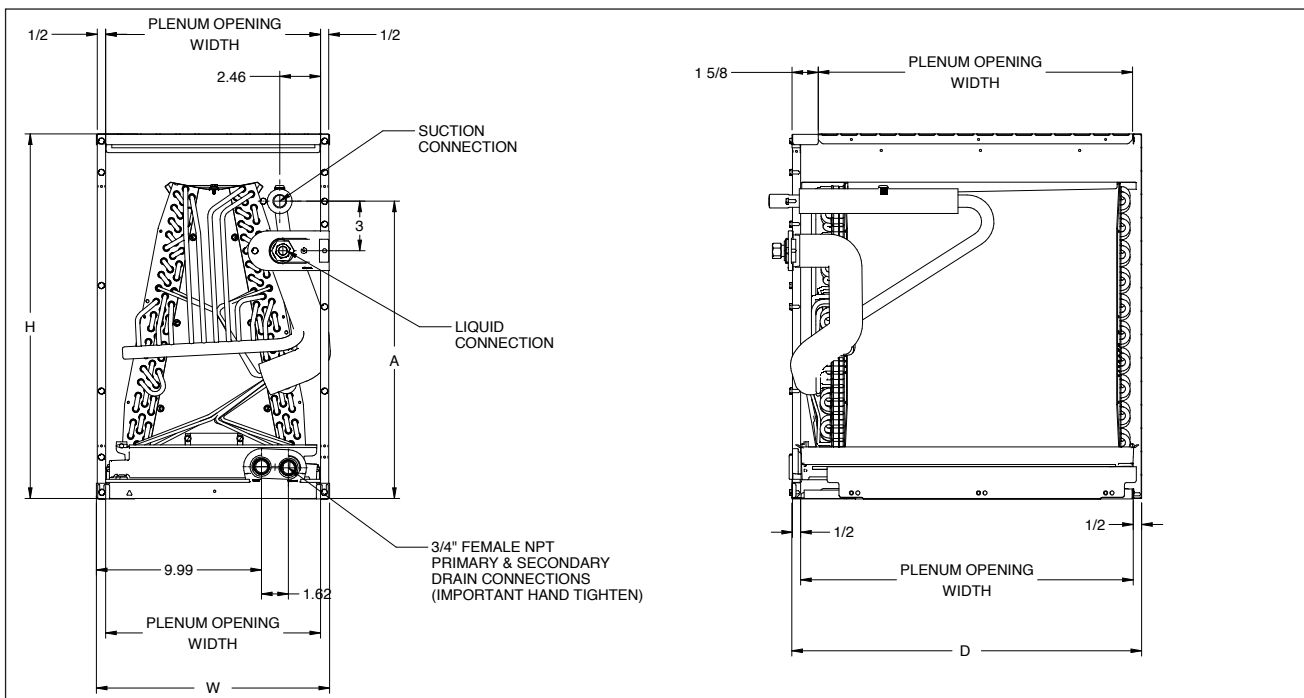


MODEL	UNIT DIMENSIONS				NOMINAL TONS	CONNECTION		PISTON SIZE*	SHIP WEIGHT (LBS)
	W	D	H	A		LIQUID	SUCTION		
CAPFA1714A6	14"	21"	14"	6"	1½	3/8"	3/4"	0.051	29
CAPFA1714B6	17½"	21"	14"	6"	1½	3/8"	3/4"	0.051	33
CAPFA1818A6	14"	21"	18"	14"	1½	3/8"	3/4"	0.055	33
CAPFA1818B6	17½"	21"	18"	14"	1½	3/8"	3/4"	0.055	38
CAPFA1818C6	21"	21"	18"	14"	1½	3/8"	3/4"	0.055	43
CAPFA2318A6	14"	21"	18"	14"	2	3/8"	3/4"	0.057	33
CAPFA2318B6	17½"	21"	18"	14"	2	3/8"	3/4"	0.057	38
CAPFA2318C6	21"	21"	18"	14"	2	3/8"	3/4"	0.057	43
CAPFA2418A6	14"	21"	18"	14"	2	3/8"	3/4"	0.057	33
CAPFA2418B6	17½"	21"	18"	14"	2	3/8"	3/4"	0.057	38
CAPFA2418C6	21"	21"	18"	14"	2	3/8"	3/4"	0.057	43
CAPFA2422A6	14"	21"	22"	18"	2	3/8"	3/4"	0.059	41
CAPFA2422B6	17½"	21"	22"	18"	2	3/8"	3/4"	0.059	45
CAPFA2422C6	21"	21"	22"	18"	2	3/8"	3/4"	0.059	50
CAPFA2922A6	14"	21"	22"	18"	2.5	3/8"	3/4"	0.065	41
CAPFA2922B6	17½"	21"	22"	18"	2½	3/8"	3/4"	0.065	45
CAPFA2922C6	21"	21"	22"	18"	2½	3/8"	3/4"	0.065	50
CAPFA3022A6	14"	21"	22"	18"	2½	3/8"	3/4"	0.063	41
CAPFA3022B6	17½"	21"	22"	18"	2½	3/8"	3/4"	0.063	45
CAPFA3022C6	21"	21"	22"	18"	2½	3/8"	3/4"	0.063	50
CAPFA3022D6	24½"	21"	22"	18"	2½	3/8"	3/4"	0.063	52
CAPFA3526B6	17.5"	21"	26"	22"	3.0	3/8"	7/8"	0.065	47
CAPFA3526C6	21"	21"	26"	22"	3.0	3/8"	7/8"	0.065	49
CAPFA3626B6	17½"	21"	26"	22"	3	3/8"	7/8"	0.065	47
CAPFA3626C6	21"	21"	26"	22"	3	3/8"	7/8"	0.065	49
CAPFA3626D6	24½"	21"	26"	22"	3	3/8"	7/8"	0.065	56
CAPFA4226B6	17½"	21"	26"	22"	3.5	3/8"	7/8"	0.071	51
CAPFA4226C6	21"	21"	26"	22"	3.5	3/8"	7/8"	0.071	54
CAPFA4226D6	24½"	21"	26"	22"	3.5	3/8"	7/8"	0.071	59

\* Shipped with Coil

Note: For a properly matched system and piston sizing information, refer to the piston kit chart of the corresponding outdoor unit.

DIMENSIONS

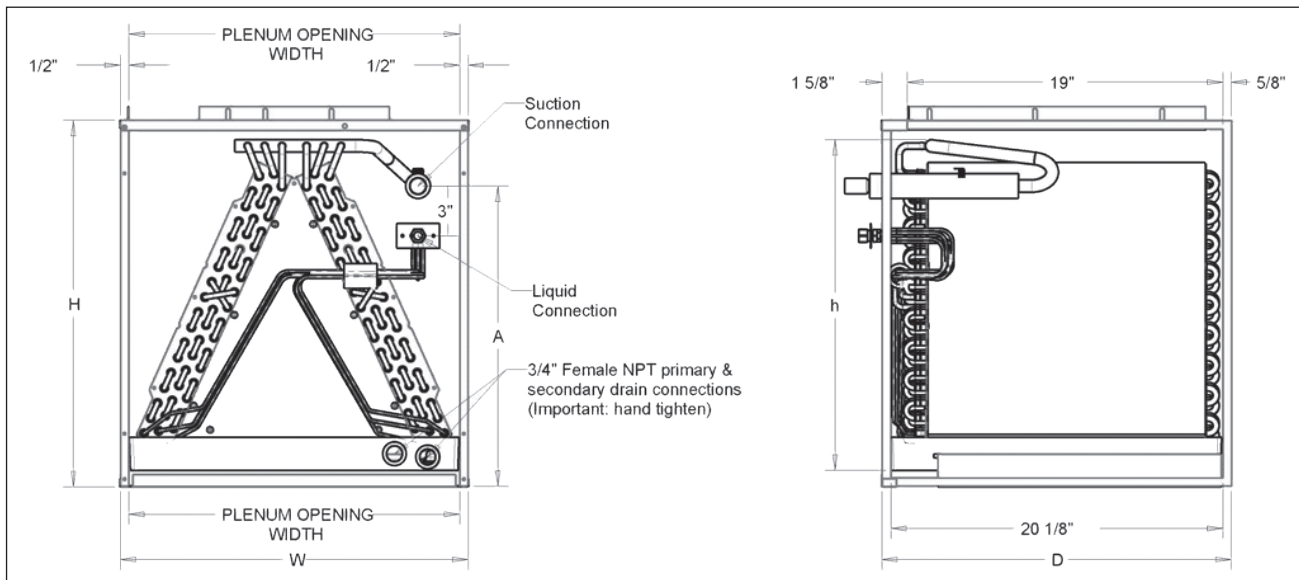




**SPECIFICATIONS**

MODEL	UNIT DIMENSIONS			NOMINAL TONS	CONNECTION		SHIP WEIGHT (LBS)
	W	D	H		LIQUID	SUCTION	
CAPT3131B4	17½"	21"	22"	2½	⅜"	¾"	46
CAPT3131C4	21"	21"	22"	2½	⅜"	¾"	50
CAPT3743C4	21"	21"	30"	3-3½	⅜"	¾"	63
CAPT3743D4	24½"	21"	30"	3-3½	⅜"	¾"	75
CAPT4961C4	21"	21"	30"	4-5	⅜"	¾"	73
CAPT4961D4	24½"	21"	30"	4-5	⅜"	¾"	76

**DIMENSIONS**





SPECIFICATIONS

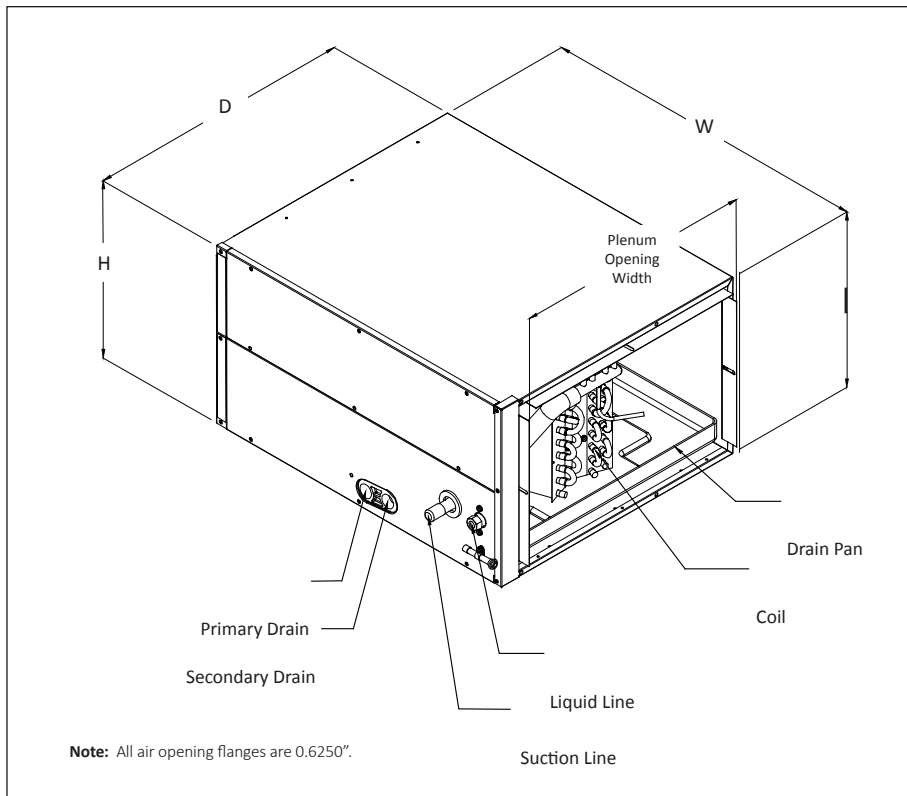
MODEL	CABINET DIMENSIONS			PLENUM		NOMINAL TONS	CONNECTION		PISTON SIZE <sup>2</sup>	SHIP WEIGHT (LBS)
	D	W	H	D	H		LIQUID	SUCTION		
CHPF1824A6	21 $\frac{1}{8}$ "	26"	14"	19"	13"	1 $\frac{1}{2}$ -2	$\frac{3}{8}$ "	$\frac{3}{4}$ "	.059	36
CHPF2430B6	21 $\frac{1}{8}$ "	26"	17 $\frac{1}{2}$ "	19"	16 $\frac{1}{2}$ "	2-2 $\frac{1}{2}$	$\frac{3}{8}$ "	$\frac{3}{4}$ "	.065	55
CHPF3636B6	21 $\frac{1}{8}$ "	26"	17 $\frac{1}{2}$ "	19"	16 $\frac{1}{2}$ "	3	$\frac{3}{8}$ "	$\frac{3}{4}$ "	.074	50
CHPF3642C6	21 $\frac{1}{8}$ "	26"	21"	19"	20"	3-3 $\frac{1}{2}$	$\frac{3}{8}$ "	$\frac{3}{4}$ "	.076	63
CHPF3743C6	21 $\frac{1}{8}$ "	26"	21"	19"	20"	3-3 $\frac{1}{2}$	$\frac{3}{8}$ "	$\frac{7}{8}$ "	.076	63
CHPF4860D6	21 $\frac{1}{8}$ "	26"	24 $\frac{1}{2}$ "	19"	23 $\frac{1}{2}$ "	4-5	$\frac{3}{8}$ "	$\frac{7}{8}$ "	.093	77

<sup>1</sup> (ft<sup>2</sup>)

<sup>2</sup> Shipped with Coil

Note: For a properly matched system and piston sizing information, refer to the piston kit chart of the corresponding outdoor unit.

DIMENSIONS







**SPECIFICATIONS**

MODEL	CAPACITY (TONS)	EVAP COIL FACE AREA <sup>1</sup>	CONNECTION SIZE		PISTON SIZE <sup>2</sup>	SHIP WEIGHT (LBS)
			LIQUID	SUCTION		
CSCF1824N6	1½-2	3½	¾"	¾"	.059	43
CSCF3036N6	2½-3	4½	¾"	7⁄8"	.074	52.5
CSCF3642N6	3-3½	5½	¾"	7⁄8"	.078	43
CSCF4860N6	4-5	5½	¾"	7⁄8"	.093	60

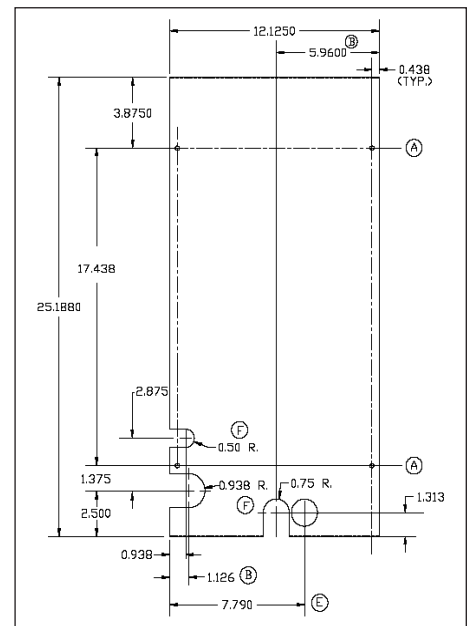
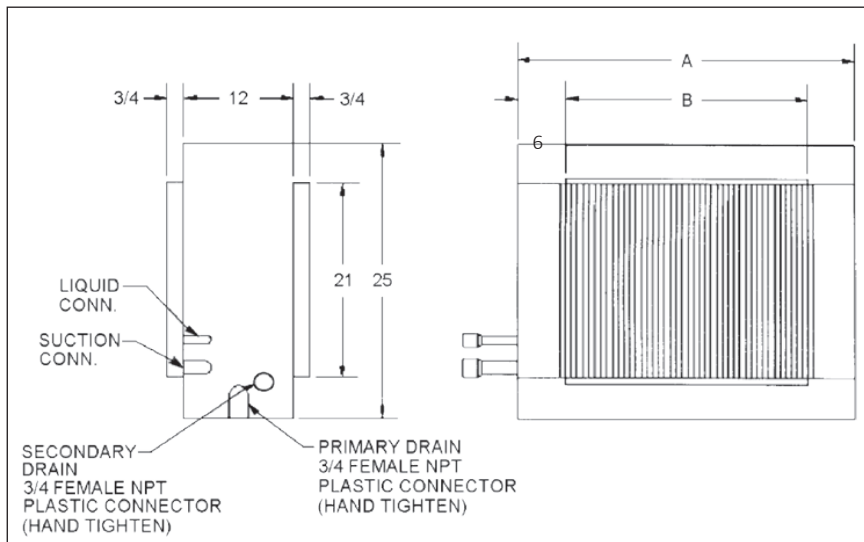
<sup>1</sup> (ft<sup>2</sup>)

<sup>2</sup> Shipped with Coil

Note: For a properly matched system and piston sizing information, refer to the piston kit chart of the corresponding outdoor unit.

**DIMENSIONS**

MODEL	UNIT DIMENSIONS			PLENUM OPENING	
	D (A)	W	H	D (B)	H
CSCF1824N6	25½"	12"	25"	16"	21"
CSCF3036N6	33½"	12"	25"	24"	21"
CSCF3642N6	39½"	12"	25"	30"	21"
CSCF4860N6	39½"	12"	25"	30"	21"



**DETAIL OF ACCESS DOOR**

AIRFLOW DATA FOR CAUF/(A) & CAPE/(A)

	SCFM	400	500	600	700	800	900	1000	1100	1200	1300	1400	1500
CA*FA1714A6*	Wet	0.120	0.180	0.250	0.330	0.410	0.500	0.600	0.710	0.820	---	---	---
	Dry	0.100	0.150	0.200	0.270	0.340	0.420	0.520	0.610	0.720	---	---	---
CA*FA1714B6*	Wet	0.100	0.150	0.210	0.280	0.340	0.420	0.500	0.580	0.660	---	---	---
	Dry	0.080	0.130	0.170	0.230	0.290	0.360	0.420	0.500	0.650	---	---	---
CA*FA1818A6*/ CA*FA2318A6*	Wet	0.110	0.160	0.220	0.290	0.370	0.460	0.550	0.650	0.760	0.830	0.950	1.080
	Dry	0.074	0.100	0.132	0.168	0.220	0.264	0.317	0.377	0.434	0.503	0.584	0.667
CA*FA1818B6*/ CA*FA2318B6*	Wet	0.100	0.140	0.190	0.250	0.310	0.380	0.450	0.530	0.610	0.670	0.770	0.870
	Dry	0.066	0.087	0.115	0.144	0.175	0.218	0.260	0.301	0.347	0.401	0.460	0.521
CA*FA1818C6/ CA*FA2318C6*	Wet	0.093	0.130	0.172	0.221	0.275	0.335	0.400	0.471	0.548	0.631	0.719	0.813
	Dry	0.064	0.086	0.110	0.139	0.170	0.205	0.243	0.284	0.328	0.376	0.427	0.481
CA*F1824A6*	Wet	0.071	0.099	0.142	0.183	0.230	0.280	0.331	0.389	---	---	---	---
	Dry	0.062	0.090	0.122	0.154	0.189	0.231	0.278	0.331	0.390	---	---	---
CA*F1824B6*	Wet	0.021	0.032	0.049	0.071	0.089	0.120	0.128	0.159	0.190	---	---	---
	Dry	0.011	0.022	0.029	0.041	0.052	0.069	0.078	0.101	0.120	---	---	---
CA*F1824C6*	Wet	0.017	0.025	0.043	0.061	0.079	0.107	0.114	0.140	0.164	---	---	---
	Dry	0.011	0.017	0.024	0.035	0.044	0.063	0.075	0.094	0.113	---	---	---
CA*FA1818C6*	Wet	0.093	0.130	0.172	0.221	0.275	0.335	0.400	0.471	0.548	0.631	0.719	0.813
	Dry	0.064	0.086	0.110	0.139	0.170	0.205	0.243	0.284	0.328	0.376	0.427	0.481
	SCFM	400	500	600	700	800	900	1000	1100	1200	1300	1400	1500
CA*FA2422A6*	Wet	0.091	0.128	0.181	0.240	0.304	0.374	0.454	0.541	0.635	0.733	0.837	0.958
	Dry	0.084	0.112	0.148	0.191	0.241	0.299	0.366	0.440	0.522	0.611	0.704	0.803
CA*FA2422B6*	Wet	0.084	0.117	0.155	0.199	0.249	0.304	0.364	0.430	0.502	0.578	0.661	0.748
	Dry	0.055	0.077	0.102	0.130	0.162	0.196	0.234	0.276	0.320	0.368	0.419	0.473
CA*FA2422C6*	Wet	0.064	0.091	0.120	0.153	0.189	0.228	0.269	0.314	0.361	0.411	0.464	0.520
	Dry	0.055	0.074	0.095	0.119	0.146	0.175	0.207	0.242	0.280	0.320	0.363	0.408
CA*FA2922A6*	Wet	0.091	0.128	0.181	0.240	0.304	0.374	0.454	0.541	0.635	0.733	0.837	0.958
	Dry	0.084	0.112	0.148	0.191	0.241	0.299	0.366	0.440	0.522	0.611	0.704	0.803
CA*FA2922B6*	Wet	0.084	0.117	0.155	0.199	0.249	0.304	0.364	0.430	0.502	0.578	0.661	0.748
	Dry	0.055	0.077	0.102	0.130	0.162	0.196	0.234	0.276	0.320	0.368	0.419	0.473
CA*FA2922C6*	Wet	0.064	0.091	0.120	0.153	0.189	0.228	0.269	0.314	0.361	0.411	0.464	0.520
	Dry	0.055	0.074	0.095	0.119	0.146	0.175	0.207	0.242	0.280	0.320	0.363	0.408
	SCFM	400	500	600	700	800	900	1000	1100	1200	1300	1400	1500
CA*FA3022A6*	Wet	0.091	0.128	0.181	0.240	0.304	0.374	0.454	0.541	0.635	0.733	0.837	0.958
	Dry	0.084	0.112	0.148	0.191	0.241	0.299	0.366	0.440	0.522	0.611	0.704	0.803
CA*FA3022B6*	Wet	0.084	0.117	0.155	0.199	0.249	0.304	0.364	0.430	0.502	0.578	0.661	0.748
	Dry	0.055	0.077	0.102	0.130	0.162	0.196	0.234	0.276	0.320	0.368	0.419	0.473
CA*FA3022C6*	Wet	0.064	0.091	0.120	0.153	0.189	0.228	0.269	0.314	0.361	0.411	0.464	0.520
	Dry	0.055	0.074	0.095	0.119	0.146	0.175	0.207	0.242	0.280	0.320	0.363	0.408
CA*FA3022D6*	Wet	0.064	0.089	0.118	0.149	0.184	0.222	0.262	0.306	0.353	0.402	0.455	0.511
	Dry	0.055	0.072	0.092	0.114	0.139	0.167	0.198	0.231	0.267	0.306	0.348	0.392
	SCFM	400	500	600	700	800	900	1000	1100	1200	1300	1400	1500
CA*FA3526B6*	Wet	0.067	0.085	0.109	0.136	0.167	0.203	0.244	0.288	0.337	0.390	0.447	0.508
	Dry	0.045	0.061	0.080	0.103	0.130	0.159	0.193	0.229	0.269	0.313	0.360	0.410
CA*FA3526C6*	Wet	0.057	0.079	0.103	0.132	0.163	0.199	0.237	0.280	0.325	0.374	0.427	0.483
	Dry	0.041	0.056	0.072	0.091	0.112	0.134	0.159	0.185	0.214	0.245	0.277	0.312
CA*FA3626B6*	Wet	0.067	0.085	0.109	0.136	0.167	0.203	0.244	0.288	0.337	0.390	0.447	0.508
	Dry	0.045	0.061	0.080	0.103	0.130	0.159	0.193	0.229	0.269	0.313	0.360	0.410
CA*FA3626C6*	Wet	0.057	0.079	0.103	0.132	0.163	0.199	0.237	0.280	0.325	0.374	0.427	0.483
	Dry	0.041	0.056	0.072	0.091	0.112	0.134	0.159	0.185	0.214	0.245	0.277	0.312
CA*FA3626D6*	Wet	0.055	0.076	0.099	0.124	0.152	0.182	0.215	0.250	0.288	0.328	0.370	0.415
	Dry	0.042	0.055	0.070	0.088	0.108	0.130	0.154	0.180	0.208	0.239	0.271	0.306
CA*FA4226B6*	Wet	0.046	0.064	0.087	0.113	0.144	0.171	0.211	0.255	0.299	0.345	0.395	0.450
	Dry	0.015	0.038	0.063	0.089	0.117	0.146	0.180	0.217	0.255	0.297	0.342	0.393
CA*FA4226C6*	Wet	0.059	0.068	0.082	0.100	0.121	0.147	0.176	0.208	0.243	0.281	0.321	0.364
	Dry	0.033	0.046	0.061	0.077	0.095	0.116	0.138	0.162	0.187	0.215	0.244	0.276
CA*FA4226D6*	Wet	0.035	0.055	0.076	0.097	0.118	0.140	0.162	0.186	0.211	0.236	0.262	0.291
	Dry	NA	NA	NA	0.023	0.051	0.078	0.105	0.131	0.157	0.183	0.210	0.237

AIRFLOW DATA FOR CAUF/(A) & CAPE/(A) (CONT.)

	SCFM	600	700	800	900	1000	1100	1200	1300	1400	1500							
CA*F3030A6*	Wet	0.151	0.173	0.204	0.238	0.267	0.281	0.326	0.380	0.406	0.451	---	---	---				
	Dry	0.069	0.083	0.117	0.132	0.148	0.183	0.206	0.239	0.290	0.338	---	---	---				
CA*F3030B6*	Wet	0.090	0.120	0.150	0.180	0.210	0.240	0.280	0.330	0.370	0.420	---	---	---				
	Dry	0.080	0.100	0.130	0.150	0.180	0.210	0.250	0.280	0.320	0.360	---	---	---				
CA*F3030C6*	Wet	0.071	0.087	0.120	0.134	0.155	0.180	0.209	0.249	0.284	0.328	---	---	---				
	Dry	0.050	0.067	0.098	0.113	0.135	0.169	0.189	0.213	0.245	0.275	---	---	---				
CA*F3030D6*	Wet	0.069	0.078	0.090	0.108	0.136	0.168	0.206	0.244	0.288	0.337	---	---	---				
	Dry	0.029	0.043	0.070	0.082	0.098	0.125	0.141	0.153	0.177	0.200	---	---	---				
	SCFM	600	700	800	900	1000	1100	1200	1300	1400	1500	1600						
CA*F3131B26*	Wet	0.041	0.049	0.061	0.078	0.090	0.113	0.131	0.140	0.162	0.178	0.210	---	---	---			
	Dry	0.021	0.031	0.039	0.048	0.061	0.072	0.079	0.091	0.110	0.122	0.141	---	---	---			
CA*F3131C6*	Wet	0.035	0.036	0.038	0.051	0.059	0.073	0.087	0.094	0.110	0.125	0.145	---	---	---			
	Dry	0.014	0.022	0.028	0.036	0.045	0.054	0.061	0.068	0.081	0.091	0.108	---	---	---			
	SCFM	600	700	800	900	1000	1100	1200	1300	1400	1500	1600	1700	1800	1900	2000	2100	
CA*F3137B6*	Wet	0.090	0.110	0.140	0.170	0.200	0.230	0.270	0.300	0.350	0.390	0.440	0.5	0.550	0.620	0.670	0.740	---
	Dry	0.080	0.100	0.130	0.160	0.190	0.220	0.250	0.290	0.340	0.380	0.430	0.48	0.530	0.590	0.660	0.710	---
	SCFM	600	700	800	900	1000	1100	1200	1300	1400	1500	1600	1700	1800	1900	2000	2100	2200
CA*F3636A6*	Wet	0.135	0.170	0.220	0.280	0.310	0.380	0.450	0.530	0.610	0.690	0.790	0.870	0.910	0.950	1.030	1.130	1.190
	Dry	0.130	0.160	0.200	0.230	0.280	0.320	0.380	0.450	0.520	0.590	0.670	0.710	0.790	0.870	0.970	1.060	1.160
CA*F3636B6*	Wet	0.115	0.135	0.170	0.180	0.220	0.260	0.300	0.350	0.400	0.460	0.520	0.570	0.600	0.660	0.720	0.790	0.850
	Dry	0.110	0.130	0.160	0.170	0.210	0.240	0.270	0.330	0.370	0.420	0.470	0.520	0.550	0.610	0.660	0.720	0.770
CA*F3636C6*	Wet	0.100	0.120	0.160	0.170	0.210	0.250	0.290	0.340	0.380	0.430	0.480	0.540	0.550	0.610	0.670	0.720	0.780
	Dry	0.090	0.110	0.130	0.140	0.160	0.180	0.220	0.250	0.280	0.320	0.350	0.370	0.410	0.450	0.490	0.530	0.570
CA*F3636D6*	Wet	0.095	0.115	0.140	0.150	0.170	0.200	0.230	0.270	0.310	0.350	0.390	0.430	0.460	0.500	0.560	0.620	0.660
	Dry	0.090	0.110	0.130	0.140	0.160	0.190	0.220	0.240	0.270	0.300	0.340	0.380	0.410	0.440	0.490	0.530	0.580
	SCFM	600	700	800	900	1000	1100	1200	1300	1400	1500	1600	1700	1800	1900			
CA*F3642C6*	Wet	0.075	0.090	0.110	0.120	0.140	0.170	0.200	0.230	0.260	0.290	0.330	0.360	0.380	0.420	---	---	---
	Dry	0.070	0.080	0.100	0.110	0.130	0.150	0.170	0.200	0.230	0.250	0.280	0.310	0.330	0.370	---	---	---
CA*F3642D6*	Wet	0.070	0.090	0.110	0.124	0.140	0.160	0.190	0.210	0.240	0.270	0.300	0.330	0.350	0.380	---	---	---
	Dry	0.060	0.080	0.090	0.100	0.110	0.130	0.150	0.170	0.190	0.220	0.240	0.260	0.280	0.300	---	---	---
	SCFM	800	900	1000	1100	1200	1300	1400	1500	1600	1700	1800	1900	2000	2100			
CA*F3743C6*	Wet	0.083	0.093	0.113	0.133	0.143	0.163	0.183	0.213	0.243	0.263	0.293	0.323	0.353	0.383	---	---	---
	Dry	0.073	0.083	0.103	0.113	0.133	0.153	0.163	0.193	0.213	0.233	0.263	0.293	0.313	0.343	---	---	---
CA*F3743D6*	Wet	0.074	0.080	0.089	0.107	0.120	0.129	0.138	0.169	0.188	0.209	0.229	0.251	0.273	0.279	---	---	---
	Dry	0.046	0.056	0.074	0.076	0.086	0.107	0.110	0.126	0.147	0.160	0.176	0.196	0.210	0.230	---	---	---
	SCFM	1000	1100	1200	1300	1400	1500	1600	1700	1800	1900	2000	2100	2200				
CA*F4860C6*	Wet	0.167	0.191	0.219	0.244	0.266	0.299	0.355	0.370	0.413	0.454	0.498	0.586	0.643	---	---	---	
	Dry	0.160	0.177	0.194	0.206	0.246	0.264	0.264	0.265	0.290	0.309	0.364	0.389	0.604	---	---	---	
CA*F4860D6*	Wet	0.138	0.156	0.177	0.196	0.226	0.247	0.275	0.298	0.327	0.349	0.395	0.460	0.487	---	---	---	
	Dry	0.126	0.138	0.157	0.176	0.187	0.200	0.205	0.210	0.230	0.250	0.280	0.300	0.419	---	---	---	
	SCFM	1000	1100	1200	1300	1400	1500	1600	1700	1800	1900	2000	2100	2200				
CA*F4961C6*	Wet	0.209	0.233	0.255	0.286	0.308	0.341	0.397	0.412	0.455	0.496	0.540	0.628	0.643	---	---	---	
	Dry	0.202	0.219	0.236	0.248	0.288	0.306	0.306	0.307	0.332	0.351	0.406	0.431	0.604	---	---	---	
CA*F4961D6*	Wet	0.140	0.158	0.179	0.198	0.228	0.249	0.277	0.300	0.329	0.351	0.397	0.462	0.487	---	---	---	
	Dry	0.128	0.140	0.159	0.178	0.189	0.202	0.206	0.212	0.232	0.252	0.282	0.302	0.419	---	---	---	

AIR QUANTITY (SCFM) VS. PRESSURE DROP (IN. WC)

CAPT

Model	SCFM	600		700		800		900		1000		1100		1200		1300		1400		1500		1600		1700		1800		1900		2000		2100		2200			
		Wet	Dry	Wet	Dry	Wet	Dry	Wet	Dry	Wet	Dry	Wet	Dry	Wet	Dry	Wet	Dry	Wet	Dry	Wet	Dry	Wet	Dry	Wet	Dry	Wet	Dry	Wet	Dry	Wet	Dry	Wet	Dry	Wet	Dry		
CAPT3131B4*	Wet	0.041	0.049	0.061	0.078	0.090	0.113	0.131	0.140	0.162	0.178	0.210																									
	Dry	0.021	0.031	0.039	0.048	0.061	0.072	0.079	0.091	0.110	0.122	0.141																									
CAPT3131C4*	Wet	0.035	0.036	0.038	0.051	0.059	0.073	0.087	0.094	0.110	0.125	0.145																									
	Dry	0.014	0.022	0.028	0.036	0.045	0.054	0.061	0.068	0.081	0.091	0.108																									
CAPT3743C4*	Wet	0.083	0.093	0.113	0.133	0.143	0.163	0.183	0.213	0.243	0.263	0.293	0.323	0.353	0.383	0.423																					
	Dry	0.073	0.083	0.103	0.113	0.133	0.153	0.163	0.193	0.213	0.233	0.263	0.293	0.313	0.343	0.373																					
CAPT3743D4*	Wet	0.074	0.080	0.089	0.107	0.120	0.129	0.138	0.169	0.188	0.209	0.229	0.251	0.273	0.279	0.306																					
	Dry	0.046	0.056	0.070	0.076	0.086	0.107	0.110	0.126	0.147	0.160	0.176	0.196	0.210	0.230	0.253																					
CAPT4961C4*	Wet	0.209	0.233	0.255	0.286	0.308	0.341	0.397	0.412	0.455	0.496	0.540	0.628	0.643																							
	Dry	0.202	0.219	0.236	0.248	0.288	0.300	0.306	0.315	0.332	0.351	0.406	0.431	0.604																							
CAPT4961D4*	Wet	0.140	0.158	0.179	0.198	0.228	0.249	0.277	0.300	0.329	0.351	0.397	0.462	0.487																							
	Dry	0.128	0.140	0.159	0.178	0.189	0.202	0.206	0.212	0.232	0.252	0.282	0.302	0.419																							

CSCF

Model	SCFM	500		600		700		800		900		1000		1100		1200		1300		1400		1500		1600		1700		1800		1900		2000		2100		2200	
		Wet	Dry	Wet	Dry	Wet	Dry	Wet	Dry	Wet	Dry	Wet	Dry	Wet	Dry	Wet	Dry	Wet	Dry	Wet	Dry	Wet	Dry	Wet	Dry	Wet	Dry	Wet	Dry	Wet	Dry	Wet	Dry	Wet	Dry		
CSCF1824N6D*	Wet	0.104	0.143	0.176	0.212	0.255	0.292	0.321	0.344																												
	Dry	0.048	0.067	0.086	0.108	0.132	0.159	0.186	0.206																												
CSCF3036N6D*	Wet	---	---	0.062	0.076	0.092	0.109	0.131	0.156	0.186	0.209																										
	Dry	---	---	0.032	0.043	0.055	0.068	0.082	0.099	0.114	0.131																										
CSCF3642N6D*	Wet	---	---	---	0.045	0.063	0.081	0.099	0.116	0.132	0.148	0.166	0.183	0.202	0.220	0.236	0.259	0.278	0.291																		
	Dry	---	---	---	0.039	0.051	0.064	0.077	0.092	0.105	0.121	0.138	0.150	0.175	0.191	0.214	0.230	0.251	0.262																		
CSCF4860N6D*	Wet	---	---	---	0.051	0.068	0.085	0.103	0.120	0.137	0.154	0.173	0.192	0.212	0.233	0.255	0.278	0.299	0.319																		
	Dry	---	---	---	0.043	0.056	0.069	0.084	0.099	0.115	0.132	0.149	0.167	0.185	0.207	0.227	0.249	0.272	0.282**																		

\*\* Maximum SCFM = 2146

AIR QUANTITY (SCFM) VS. PRESSURE DROP (IN. WC)

	SCFM	600	700	800	900	1000	1100	1200	1300	1400							
CHPF 1824A6*	Wet	0.132	0.179	0.222	0.272	0.327	0.381	0.456	0.522	0.605							
	Dry	0.126	0.165	0.206	0.249	0.302	0.354	0.414	0.478	0.563							
	SCFM	600	700	800	900	1000	1100	1200	1300	1400	1500	1600					
CHPF 2430B6*	Wet	0.106	0.124	0.152	0.184	0.218	0.258	0.301	0.350	0.406	0.460	0.514					
	Dry	0.101	0.122	0.145	0.174	0.209	0.247	0.288	0.333	0.381	0.428	0.484					
	SCFM	600	700	800	900	1000	1100	1200	1300	1400	1500	1600					
CHPF 3636B6*	Wet	0.107	0.131	0.167	0.199	0.239	0.291	0.338	0.389	0.439	0.494	0.552					
	Dry	0.102	0.126	0.152	0.184	0.220	0.259	0.303	0.349	0.401	0.458	0.516					
	SCFM	800	900	1000	1100	1200	1300	1400	1500	1600	1700	1800	1900	2000	2100	2200	
CHPF 3642C6*	Wet	0.083	0.103	0.126	0.151	0.178	0.208	0.240	0.274	0.310	0.346	0.383	---	---	---	---	
	Dry	0.073	0.096	0.120	0.144	0.169	0.196	0.224	0.254	0.286	0.319	0.354	---	---	---	---	
	SCFM	800	900	1000	1100	1200	1300	1400	1500	1600	1700	1800	1900	2000	2100	2200	
CHPF 3743C6*	Wet	0.133	0.153	0.176	0.201	0.228	0.258	0.290	0.324	0.360	0.396	0.433	---	---	---	---	
	Dry	0.123	0.146	0.170	0.194	0.219	0.246	0.274	0.304	0.336	0.369	0.404	---	---	---	---	
	SCFM	900	1000	1100	1200	1300	1400	1500	1600	1700	1800	1900	2000	2100	2200		
CHPF 4860D6*	Wet	0.111	0.131	0.151	0.171	0.191	0.211	0.231	0.261	0.291	0.321	0.361	0.391	0.431	0.471		
	Dry	0.101	0.121	0.141	0.161	0.181	0.201	0.221	0.251	0.281	0.311	0.341	0.371	0.411	0.441		

*EXPANSION VALVE KITS FOR NON-TXV COILS*

KIT NUMBER	DESCRIPTION	APPLICATION	REFRIGERANT	TONNAGE: OUTDOOR UNIT
TXV-30 <sup>2</sup>	Non-bleed Valve	AC Only	R-410A	1½- 2½ Ton
TXV-42 <sup>2</sup>	Non-bleed Valve	AC Only	R-410A	3- 3½ Ton
TXV-48 <sup>2</sup>	Non-bleed Valve	AC Only	R-410A	4 Ton
TXV-60 <sup>2</sup>	Non-bleed Valve	AC Only	R-410A	5 Ton
TX2N4A	Non-bleed Valve	AC or HP	R-410A	1½- 2 Ton
TX3N4	Non-bleed Valve	AC or HP	R-410A	2½- 3 Ton
TX5N4	Non-bleed Valve	AC or HP	R-410A	3½- 5 Ton

**Note:** Condensing units and heat pumps with reciprocating compressors require the use of start-assist components when used in conjunction with an indoor coil using a non-bleed thermal expansion valve refrigerant metering device.

*HIGH-TEMP DRAIN PAN KITS*

DRAIN PAN KITS	FURNACE SIZE
HTP-A	14" furnaces
HTP-B	17½" furnaces
HTP-C	21" furnaces
HTP-D	24½" furnaces

*DRAIN PAN INSULATION KITS*

DRAIN PAN INSULATION KITS FOR CAPFA & CAUFA	
KIT NUMBER	CABINET WIDTH
DPICX-AB	14"
DIPCX-BB	17.5"
DIPCX-CB	21"
DPICX-DB	24.5"